



PUMPS AUSTRALIA

BETTER • FASTER • EASIER



AUTOMATIC PRESSURE CONTROLLER

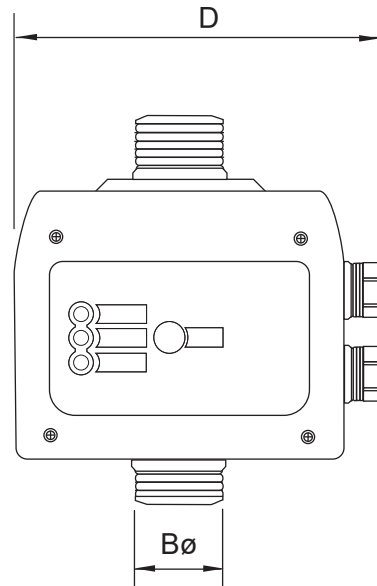
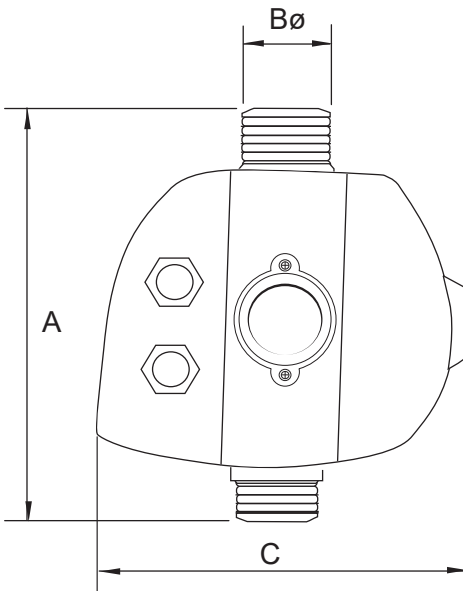
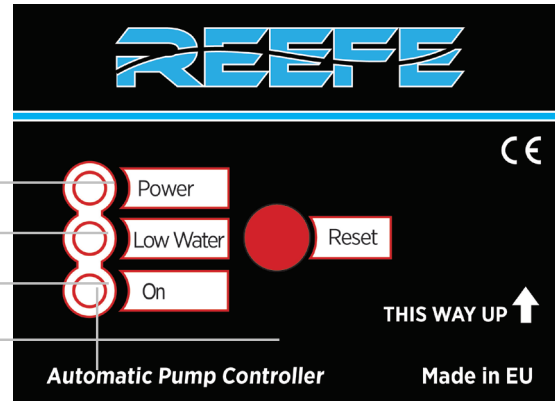
TECHNICAL DATA

MODEL: RPC22E
CODE: 20777

CONTROL PANEL & DIMENSIONS

MODEL	DIMENSIONS (MM)			
	A	BØ	C	D
RPC22E	162	1"	132.5	144

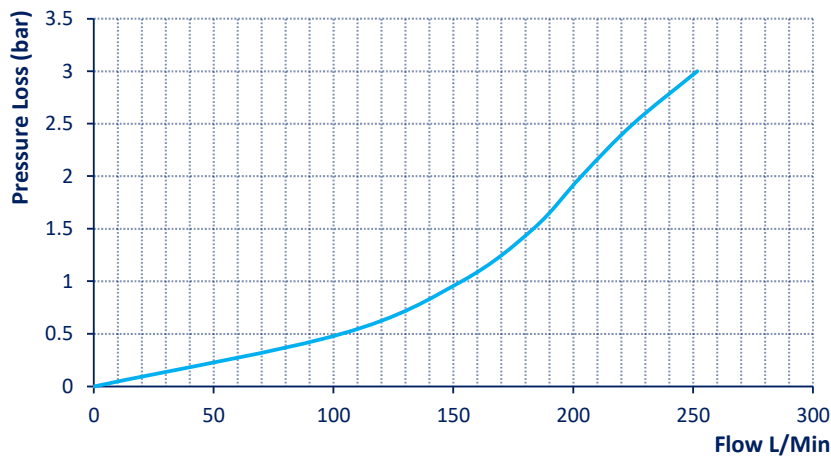
Power Indicator
 'Low Water' Loss of Prime Indicator
 Power ON/OFF indicator
 Manual reset button after a run dry event



RPC PRESSURE CONTROLLER

PRESSURE LOSS DATA

MODEL	L/MIN	0	50	100	150	200	250
RPC22E	PRESSURE LOSS	0	0.25	0.5	1	1.9	3



OPERATION GUIDE & INSTRUCTION MANUAL

OPERATION

The RPC22E electronic controller allows the automatic start and stop of the water pump when opening and closing any tap or valve of the installation. When the water pump starts, it keeps running while the water exits any tap opened in the system giving constant pressure to the network.

CONSTRUCTION CHARACTERISTICS

- Inlet and outlet: Male 1" BSP.
- Special non return valve which avoids surges.
- Safety system avoiding dry running operation.
- Automatic reset function.
- Pressure gauge (optional).
- Manual start switch (RESET).
- Tension led (POWER).
- Pump-working led (ON).
- Security system led (LOW WATER).

HYDRAULIC CONNECTION (FIG 2)

Before proceeding with hydraulic connection, it is essential to prime the pump correctly. The device must be installed in a vertical position, thus connecting the inlet opening (male 1") directly to the pump outlet; and the outlet (male 1") to the network. The following accessories are recommended: Flexible with a disassembling link for network connection, protecting the set from possible ... charges and vibrations, ball valve which permits the isolation of the pump from the installation a tap (A) on the same level as the device (FIG 2)

ELECTRIC CONNECTION (FIG3 AND FIG 4)

Before performing any modification inside the device, it must be disconnected from the mains power.

Installation and electrical connections must be carried out by qualified personnel respecting the safety requirements as well as the regulations in force in Australia.

Incorrect connections can damage the electronic circuit. The manufacturer will not be liable for damage caused by bad connections.

Check that the line voltage is 230v.

It is essential to install a high sensitivity switch: I= n 30 mA (class A or AC). It is essential to use a circuit breaker adjusted to the motor consumption.

AUTOMATIC RESTART FUNCTION

If the device goes into failure mode, this function will execute a series of automatic starts to attempt to restore operation without any manual intervention via the RESET button. The system operates as follows:

10 seconds after the controller senses loss of prime and turns off, it tries to restart for 10seconds,

Stops for 30 seconds,

Tries for 10 seconds,

Stops for 30 seconds,

Tries for 10 seconds,

Then Stops for 24 hours.

The pump will then try for 10seconds, once every 24 hours from then on...and does not stop this cycle until there is water again.

Disconnecting the pump from power will stop the pump from completing its periodic 24hr water check.

STARTING

Be sure that the pump is correctly primed, then gently open one tap of the installation.

Connect the device to electric supply, the tension led will lit (POWER).

The pump starts working automatically and within a period of 20-25 seconds the pressure will reach approximately, the maximum pressure provided by the pump. During it working the corresponding LED (on) will be on

Close the tap indicated on Point 1. After 10-12 seconds, the pump will stop. The tension led (power) will be the only one to remain on. Any problem after this procedure will be due to a defective pump priming.

TOUBLESHOOTING GUIDE

PUMP DOES NOT STOP:

Water leak higher than 1 l/min. at some point: check that all the used taps are closed.

Breakdown on the electronic card: proceed to its substitution.

Incorrect electric connection: verify the connections according to FIG.3.

PUMP DOES NOT START:

The pump is not primed; the protection against dry running operation has stepped in and the LOW WATER light is on: prime the water pipe, drain the system water by opening tap (A) on the same level as the device to decrease the pressure of the water column over it (FIG.2), and check by pressing the manual start button (RESET).

Pump is blocked: Light (LOW WATER) is on, the security system is activated. When we act on the manual start switch (RESET) the Light (ON) is activated but the pump does not work: contact with your dealer.

Failure in the electronic circuit: switch the pump from the power supply, wait a few seconds and turn it on again, the pump should start, if it does not start then replace the electronic circuit.

No electrical supply: check the proper electric feeding. The (POWER) light should be on.

Not enough pump pressure: the security system has been activated and the corresponding light (LOW WATER) is on. Check that the pump pressure was at least 1 bar higher than the starting pressure for the model F, and for the model R follow the table in HYDRAULIC CONNECTION (see installation diagrams for models F & R).

Air in the pump aspiration: Pressure lower than the nominal or constants oscillations. The security system will act by stopping the pump, the light (LOW WATER) will be on. Check the sealing of the connections and the O-ring of the aspiration conduct.

PUMP STARTS AND STOPS REPEATEDLY:

Small leak in some point of the installation: Verify possible taps or WC tank leaks and repair them. Be sure to turn off the hose cock on the Toilet cistern to ensure no internal leakage in the toilet that is not visible.

